

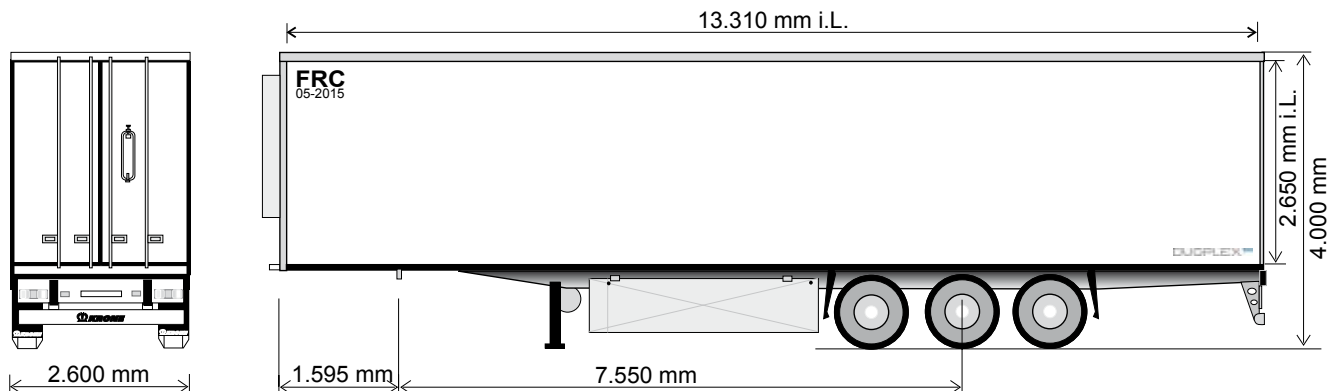
Cool Liner

Type: SDR 27 eL3-FB

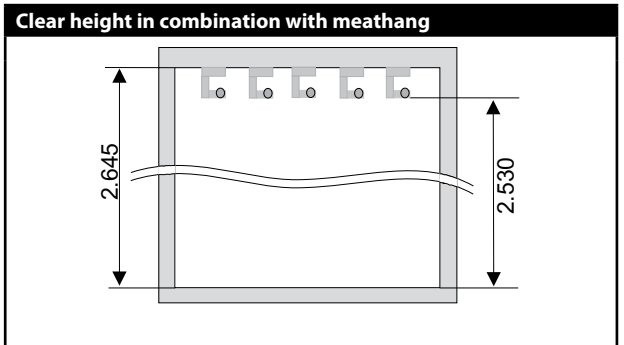
DUOPLEX^{GFK}
Meathang



3 axle cooling trailer in meathang execution with ATP/FRC certificate – side view and rear view



Technical data:	
Type:	SDR 27 eL3-FB
King Pin load:	12.000 kg
Axle load (technically possible):	27.000 kg
Perm. total weight (technically possible):	39.000 kg
Tare weight (without cooling unit):	ca. 8.750 kg
Tare weight (with cooling unit and tank):	ca. 9.550 kg
Coupling height unloaded:	1.130 mm
Axle spread:	1.310 / 1.310 mm
Internal length:	13.305 mm
Internal width:	2.460 mm
Internal height:	2.645 mm
External length:	13.550 mm
External width:	2.600 mm
Total height unloaded:	4.000 mm



Panel thicknesses	
Front wall:	60 mm
Side walls:	65 mm
Roof:	95 mm
Doors:	90 mm
Floor:	125 mm

(Dimensions and weights for standard units)

Technische description:	
Double T-longitudinal beams and cross members, rear traverse with diagonal reinforcements, without outer frame and beam for self-supporting box, integrated in the body-work, Neck height: 50 mm	Self-supporting box, highly insulated plastic construction, all panels highly diffusion tight due to gel coat cover on both sides, all foams used are 100% CFC-free
2 mechanically operated landing legs, 2 x 12 tonnes capacity, half round compensating feet	Roof made of sandwich panels with appropriate integrated cabling for temperature sensor and lighting system; GRP reinforced inside and outside 2,5mm; 6 LED-flush ceiling lights, integrated in the roof laterally, offset; Steel reinforcements for meat hang rails integrated into the roof, meat hang system consisting of 5 rows of galvanized bars, diameter 60mm, fixed on alloy blocks, roof designed for 2000 kg per metre, hook assurance, no meat hooks included
Low-maintenance axles with air suspension and disc brakes (430 mm); raise/lower valve (1 valve) incl. auto reset; Rims centre nave	Front wall made of sandwich panels with reinforcement and cut-out for cooling system; impact-tested acc. to Swedish standard test; 4 vertical aluminium distance profiles (95 mm) for optimum air distribution; Front wall with inner protection wall, screwed
Tyres: 6 x 385/65 R 22.5, brand: Krone choice	Side walls made of sandwich panels, outer laminate 2.5 mm thick (inner laminate 3 mm); floor welded water-tight, alloy kick strip fully welded to floor
Without spare wheel carrier	GRP faced container type double rear doors; alloy steel cast hinges on each door, multiple lipped door sealing system with outside dust protection, one pair of stainless steel door lock rods; 2 door lockings with 1 hand operation
Wheel covering according to EC-regulations 78/549/EWG ff. and 91/226 EWG, including black mud flaps; Spray suppression according to EC-regulations	Air duct elastically supported, automatic switch for roof light; ATP- and HACCP Certificate, cooling unit by request for extra charge
EC braking system including vehicle stabilising system; low-maintenance automatic; spring-loaded hand brake; 2S/2M EBS system, 2 sensors on each axle with RSS, diagnostics on ISO 7638 socket (EBS)	Steel parts shot blasted, with KTL System and high-quality surface coating; axles incl. wheel hubs coated black; underrun protection and light supports white for safety reasons, powder-coated; wheels silver with high-quality paint finish; accessories black or galvanized; laminate coating coloured in RAL 9010 white; reflective outline marking according to ECE-R48
24 volts lighting system with 2 x 7-pin socket DIN ISO 1185/3731; front and rear marker lights; with two multi-function rear lights acc. to EC incl. rear fog light and reversing lights; 2 large contouring lights with rubber arm in LED; side marker lights in LED	
Plastic fuel tank, approx. 240 litres (when equipped with cooling unit); closed pallet box for 36 Euro-pallets, 1 PVC tool box	
Low-noise alloy floor; floor load capacity tested acc. to CSC/EN 283; reinforced at rear	

Subject to modifications!
VF/Beu issue 01/2012

